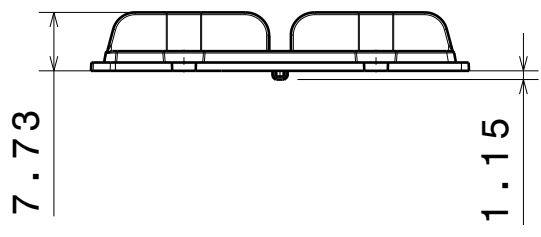
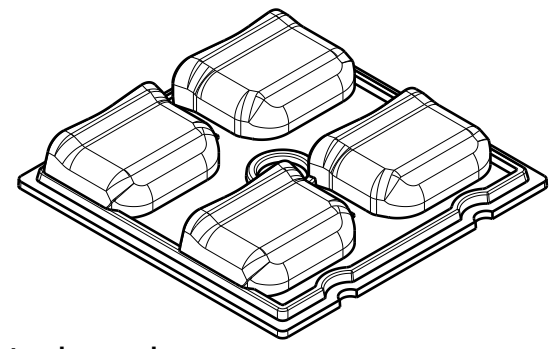


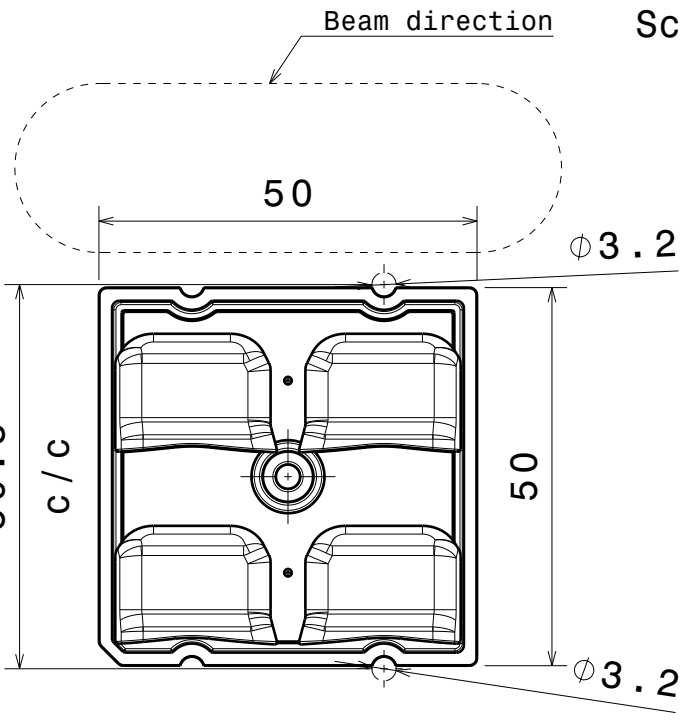
DATE  
23.06.2021



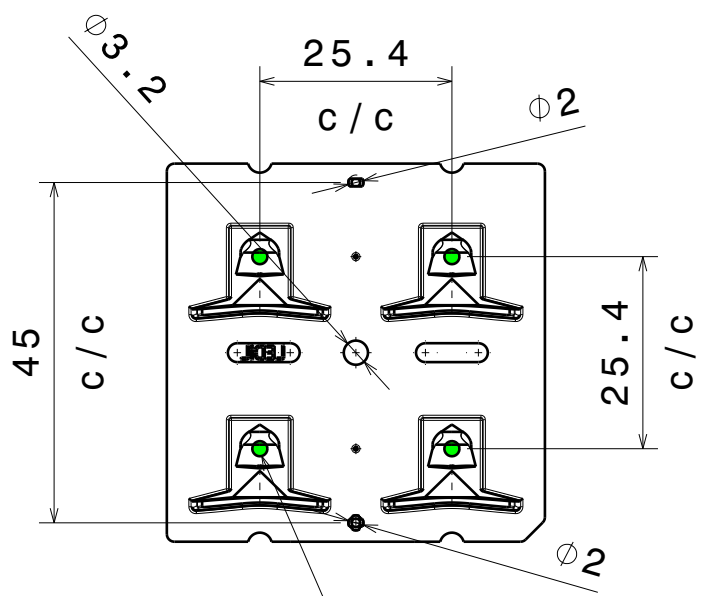
Front view



Isometric view  
Scale: 1:1



Top view



Bottom view

PART	TYPE	MATERIAL	COLOR / COATING
C16473_STRADA-2X2-SCL-PC		PC	Clear

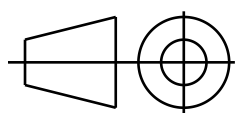
**MECHANICAL DRAWING**

PRODUCT  
**STRADA**



Plastic moulding general tolerances according to DIN 16901-130 and applies if not otherwise shown in the drawing. Silicone moulding general tolerances according to ISO 3302-1 Class M3 and applies if not otherwise shown in the drawing.

FIRST ANGLE PROJECTION:



This drawing is the property of LEDiL Oy. It may not be copied or otherwise distributed without prior written permission from LEDiL Oy.

SCALE	1:1	WEIGHT	9,6 g	A4	SHEET 1/1
-------	-----	--------	-------	----	-----------

